

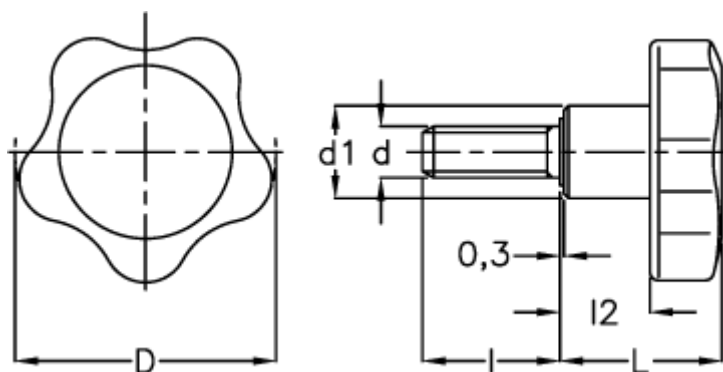
Data Sheet



Article number: 2302166455

Description: E+G Lobe knobs
VC.692/50 SST-p-M8x35

Measures



D = 50

d1 = 18

d 6g = M8

l = 35

L = 31

l2 = 17